



Murano / DLG-36

Shower Enclosure User's Guide

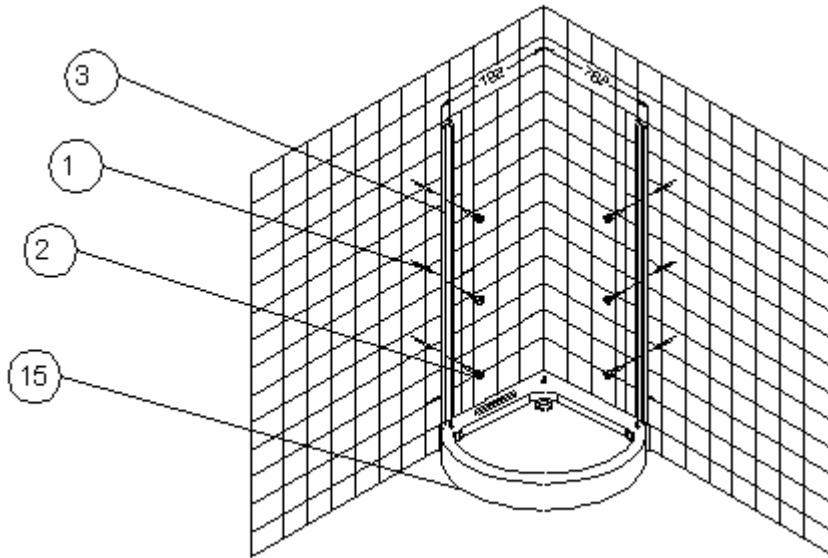


I. Mounting Preparation

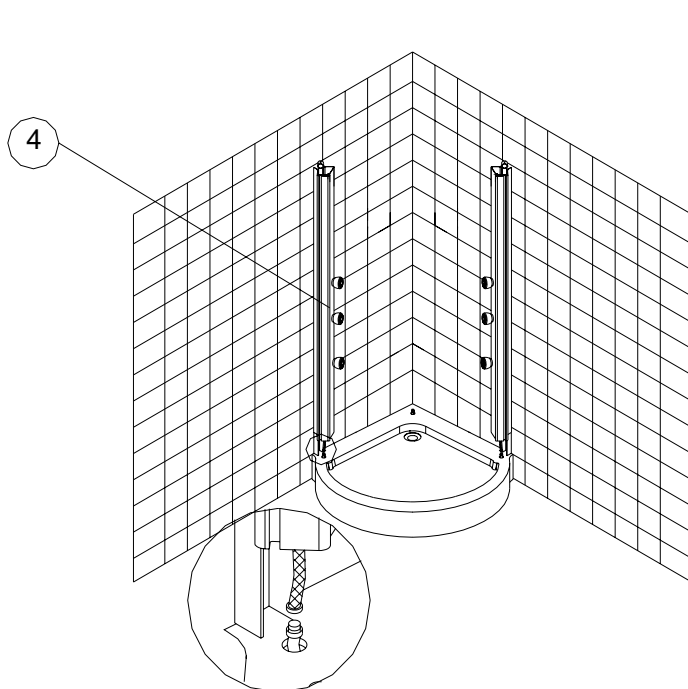
1. After opening the case, read this introduction carefully, check all the packed parts, examine the shower cabinet for shipping damage. If the unit has been damaged or has a finishing defect, please contact your local distributor within 2 business days. Please note that DreamLine Guarantee will not cover shipping damage or such finishing defects once the unit has been installed. Your distributor's responsibility for damage in transit is limited after the shower package has been transferred to the transportation company, so you may have to contact the transportation company directly to report damage. Contact your distributor or DreamLine if you have any questions.
2. You should make sure that the floor is leveled and solid and will be able to support the total weight of the unit and its occupant. You should also consult your local building codes on any questions on installation compliance with standards.
3. Install all of the required plumbing and drainage before securing the shower. Use a competent and licensed (if required by local code) plumber for all plumbing installation.
4. Please insure that prior to the installation the floor is leveled and the walls are at right angles. While some adjustment in leveling of the tray is possible, irregular floor level or improper angle of side walls will result in serious problems for your installation.
5. Necessary Tools: Conventional woodworking tools, Screwdriver, Silicone sealant, Electric drill, Regular drill bits (1/8", 7/64"), Phillips screwdriver, Level, Measuring tape, Pencil and Stepladder. Bear in mind that you will need at least two people to assemble the unit.

II. Packing List

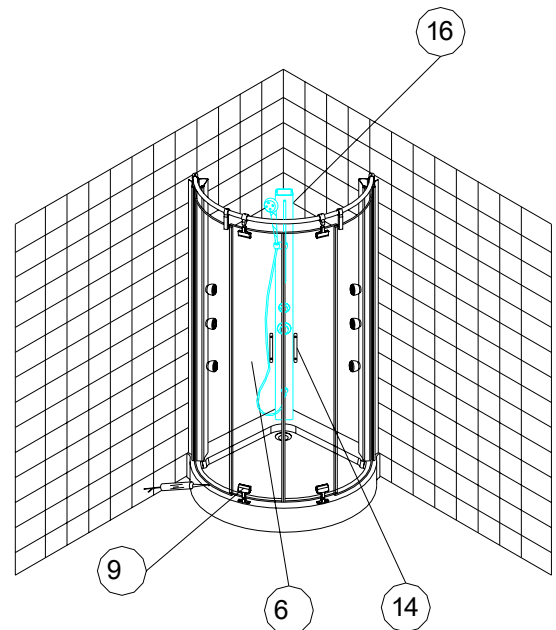
①	Plastic Dowel	12pcs	⑨	Glass entry door pivots	4sets
②	Tapping Screw ST4.2*30	20pcs	⑩	Rotation pedestal	2sets
③	Wall Connecting Profile	2pcs	⑪	Support bar door bracket	2sets
④	Doorframe, Panel Profile, Plastic Strip	2sets	⑫	Pipe covering	2sets
⑤	Side glass panel with plastic strip	2pcs	⑬	Connecting screw M4X15	4pc
⑥	Entry door glass with plastic strip	2pcs	⑭	Handle	2sets
⑦	Stainless steel top support bar	1pc	⑮	Tray	1pc
⑧	Glass clip	2sets	⑯	J11-1900 Massager	1set



Dia. 1



Dia. 2



Dia. 3

PARTS



III. Mounting Process:

1. Put the tray in the designated position and level it using water level. (Step1)
NOTE: *If the tray is not correctly leveled doors may not operate as required.*
2. Apply caulking silicone to borders of the tray and then to the edges to protect the unit from leaking. Make sure all the seals are filled up. Push the tray all the way down into the corner and remove the excess caulking using a soft cloth. Allow the caulk to dry before proceeding the shower enclosure assembly. (Step2)
3. Put apart the middle column assembly with the showerhead. (Step3, Step4)
4. Fasten the back part of the middle column assembly to the wall using 4 self-tapping screws #3 and dowels #7. (Step6)
5. Tighten up the water pipe connector using the part #8 (Step7), plug the water hose into the water pipe connector and tighten it up using part #9. (Step8)
6. Plug the hot and cold water hoses to the water supply. (Step9)
7. Place the front part of the middle column back and fasten the assembly with the 4 original bolts #5. (Step10)
8. Locate the wall connecting profiles, level them and mark the holes on the wall according to the holes on the wall profiles. (Step11)
9. After drilling, insert plastic dowels (part #7) and apply caulking silicone to the back part of the profile and then fasten the wall connecting profiles to the wall using (quantity) screws. (Step12)
10. To connect the water pipes from the side jet columns repeat Steps 7 and 8. Place the front cover parts (Step13) and screw them tight. Keep in mind that you should not push the front parts of the columns by the jets to prevent them from damaging. Make sure the jet columns are leveled (Step14).
11. Attach waterproof plastic strips to the side glass panels (Step15) and insert them into the side jetted columns (Step16).
12. When the side glass panels are in the place (Step17), insert the metal brackets into the support bar in a following order: see Step18.
13. Then insert the support bar into the slots of the side jet columns and fasten it (Step20).
14. Secure the side glass panel to the metal bracket using the parts #1, 2, 4, 10 and 11. (Step21)
15. Secure the bottom glass door pivot brackets to the entry door using the same parts #1, 2, 4, 10 and 11. The bottom of the entry door is determined by the position of the holes for the brackets (Step22). Insert the bottom pivots into the slots, then insert the top pivots into the slots and then secure the bracket to the entry door making sure you place the plastic gaskets in between the glass and metal nuts (Step23).
16. Secure the brackets to the support bar to prevent them from sliding back and forth using part #6 (Step24).
17. Attach handles, making sure there are plastic gaskets in between the glass (Step 25).
18. Attach the bottom waterproof plastic strip to the bottom of the doors (Step 26).

IV. Sealing:

Apply clear silicone water sealant around the outside perimeter of any fixed shower components (horizontally between bottom of any fixed side glass panels and tray, as well as vertically between the wall, wall profiles and any side glass panels). Do not apply silicone on the inside of the shower – this will cause your shower unit to leak.

NOTE: Allow 24 hours for the silicone to set before testing or using the shower.

NOTE: Improper application of silicone sealant may cause your shower to leak.



Step 1



Step 2



Step 3



Step 4



Step 5



Step 6



Step 7



Step 8



Step 9



Step 10



Step 11



Step 12



Step 13



Step 14



Step 15



Step 16



Step 17



Step 18



Step 19



Step 20



Step 21



Step 22



Step 23



Step 24



Step 25



Step 26



Installation instructions for Shower Trays with Add-on Tile Flange

1. Complete your shower framing
2. Attach waterproof drywall to your framing studs
3. Place your tray in desired location and level.
4. The tray is to be placed flat against the waterproof drywall. Prior to placing the tray, apply silicone to the back side of the tray tile flange (the side being placed flat against the waterproof drywall)
5. Secure the tray's add-on tile flange to the waterproof drywall with screws.
6. Apply tile adhesive onto the waterproof drywall and tile flange.
7. Place tile onto the tile adhesive. The tile will go down to the tray's tile flange and final tiles will rest on the edge of the tile flange.
8. After tile is fully set, apply another layer of silicone caulking on the entire perimeter of the tile.

