

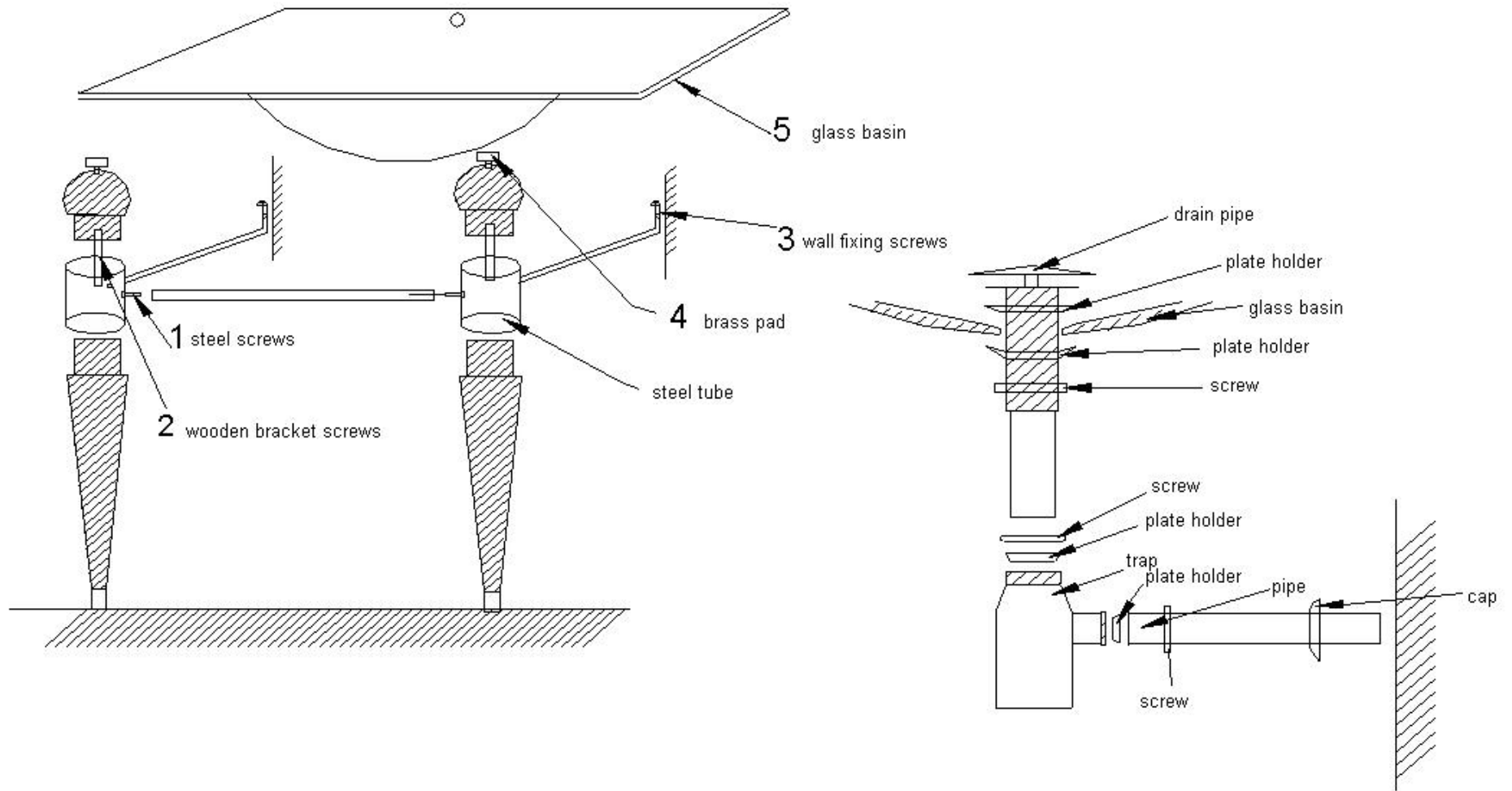


## DLVG-103 Installation Instructions



### **Mounting Process:**

1. Assemble the wooden legs. Secure the steel tube to the wooden leg with steel screws.
2. Insert metal frames into the steel tubes. Level them and mark the drill holes for the wall mounting metal frames. Fasten them to the wall using wall fixing screws.
3. When placing the glass countertop on the brass pads make sure there are rubber gaskets in between the pads and the glass to prevent glass from scratching.
4. Connect trap to drain assembly. Hand tight to check alignment.
5. Secure the faucet in place. Connect hot and cold water lines.
6. Mount the mirror at desired position and attach the mirror shelves next to the mirror.



**Product Description**

Model No. G103

- (1) 19 mm transparent one piece glass bowl
- (2) Stainless steel and solid oak wood bracket
- (3) Black walnut color cabinet
- (4) Matching mirror
- (5) Pop-up drain and T-trap
- (6) Optional faucet
- (7) Mirror dimensions: 38.98" x 31.5"

Note: Dimensions shown for location of supplies and waste are suggested.

