

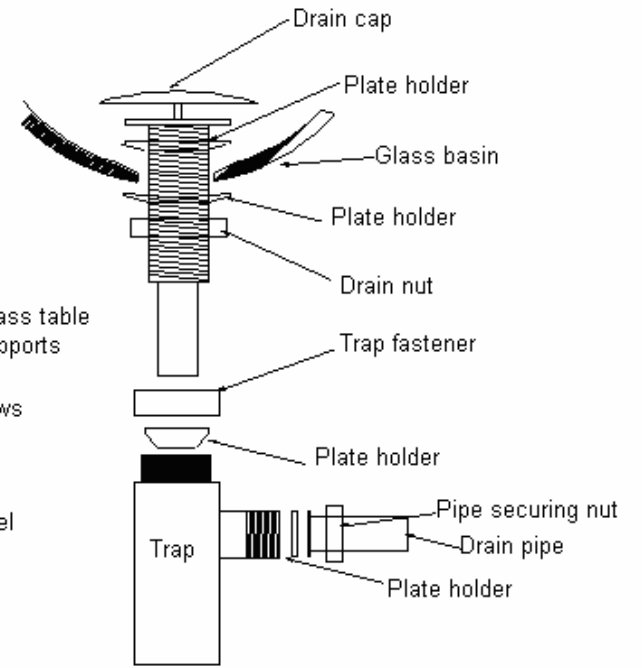
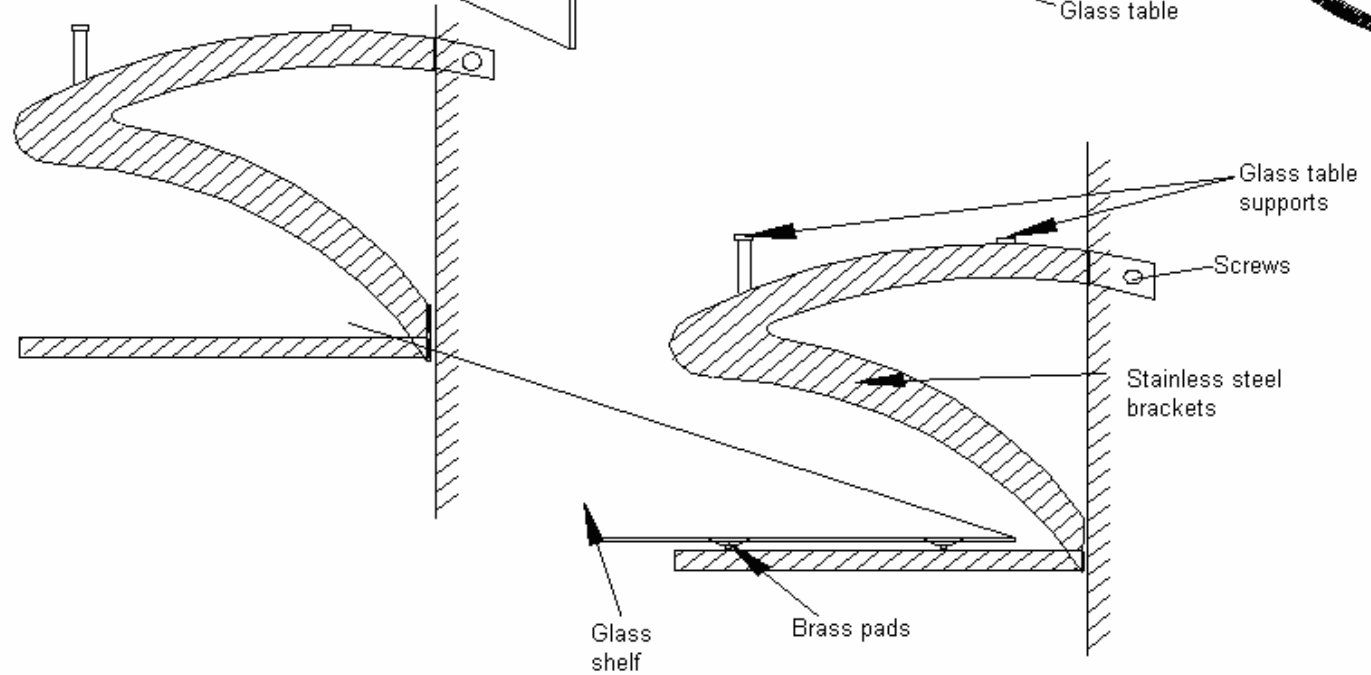
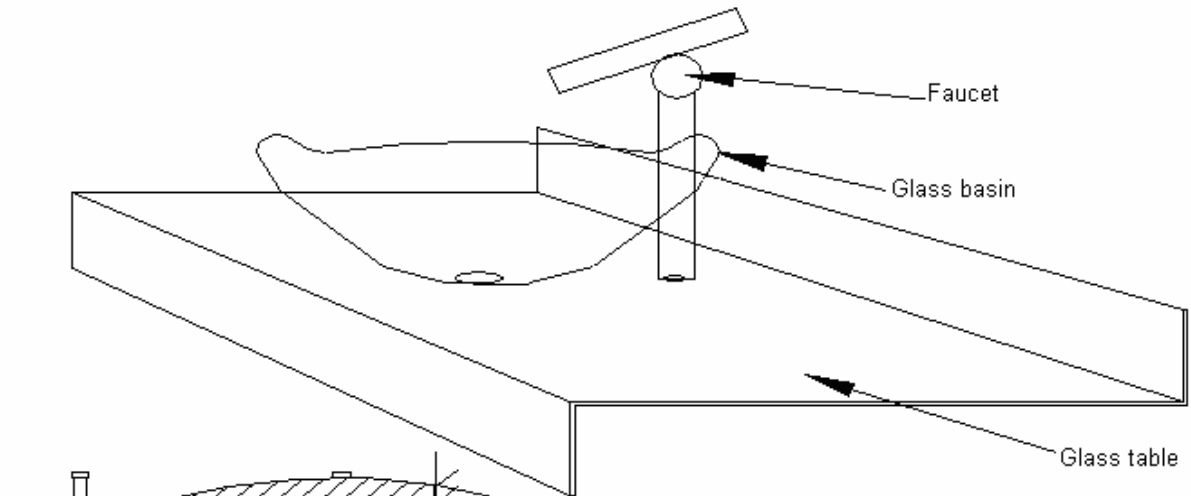


## DLVG-209 Installation Instructions



### Mounting Process:

1. Locate the desired height to mount the sink brackets. Place a mark.
2. Make sure the mounting screws go inside the studs or any reinforcement behind the wall to withstand the weight of the glass countertop with the glass basin.
3. You should fasten the brackets basing on the width of the countertop. Mark the drill holes for the brackets.
4. Secure the wall mounting brackets to the wall.
5. When placing the glass countertop on the metal pads make sure there are rubber gaskets in between the pads and the glass to prevent glass from scratching.
6. Place the mounting ring, washer and the glass basin on top of the glass countertop.
7. Connect trap to drain assembly. Hand tight to check alignment.
8. Secure the faucet in place. Connect hot and cold water lines.
9. Place the bottom shelf onto the brackets, keep in mind to put the rubber gaskets in between the brass pads and the glass shelf.
10. Mount the mirror at desired position.



**Product Description**

Model No. DLVG - 209

- (1) 12mm clear bowl
- (2) 19mm clear arc glass counter top and shelf
- (3) Stainless steel bracket
- (4) Side square glass towel stand
- (5) Matching mirror and light
- (6) Pop-up drain and T-trap
- (7) Optional faucet
- (8) Mirror dimensions: 25.98" x 33.46"

Note: Dimensions shown for location of supplies and waste are suggested.

